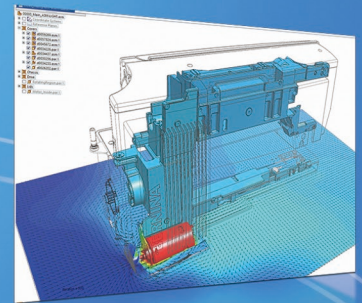
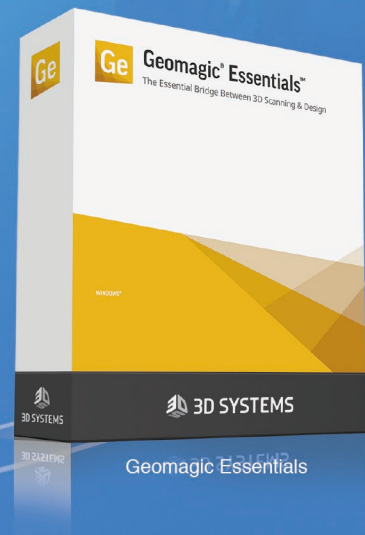


Reverse Engineering Design Bundle

Metrology 3D Scanner with Reverse
Engineering and CAD Capabilities



Solid Edge
SHINING 3D Edition



Geomagic Essentials

SHINING 3D is partnering with 3D Systems and Siemens PLM to bring you the latest all in one solution for reverse engineering. Now we are also offering the full solution from 3D scanning to reverse engineering and CAD design with our high-end metrology solutions. Convert your 3D scans to CAD easier than ever before in Geomagic Essentials. Complete your design for 3D printing and manufacturing with powerful design tool Solid Edge SHINING 3D Edition.



Metrology 3D Scanner

■ Freescan X3/X5/X7 Portable 3D Laser Handheld Scanner

- High accuracy & high speed & high resolution
- High compatibility
- Light body & easy operation
- Complete freedom of 3D scanning
- Triangular self-positioning technology



■ OptimScan-3M /5M Blue-light 3D Metrology Scanner

- Minimize the error difference and save the time to the utmost
- Dramatic production efficiency improvement
- Smart inspection
- High accuracy

Geomagic Essentials



Point Cloud & Mesh Editing



Precise Alignment



Cross Section



Precise Geometry



Extraction



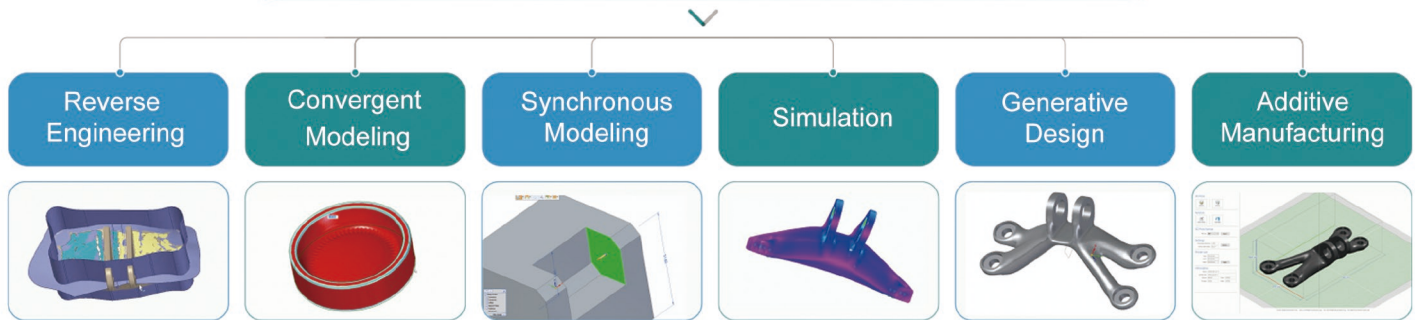
Nurbs Surfacing

Geomagic Essentials provides the tools needed for processing 3D scan data. (scan to print, downstream reverse engineering workflows in your native CAD)

- Scan processing allows you to directly edit scan data
- Manage file size through decimation for faster processing
- Scan-native application for better performance and efficiency
- High quality automatic CAD conversion
- Feature extraction allows for the extraction of CAD perfect shapes from scan data
- Precise geometry allows you to compare design features to scan data for accuracy analysis
- Convert your 3D scan data to a solid format
- Import all geometry into the native CAD package for a familiar modeling environment

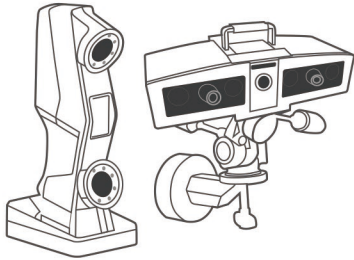
As a new generation of digital innovation platform, Solid Edge SHINING 3D Edition includes reverse engineering, generative design, and simulation together with CAD tool in one platform.

Solid Edge SHINING 3D Edition 2019



**CAD software:
Solid Edge SHINING 3D Edition**

Complete Scan to CAD Workflow



3D SCAN

FreeScan Series & OptimScan Series



Data Processing

Geomagic Essentials

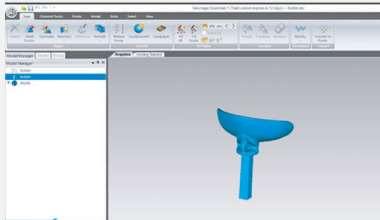
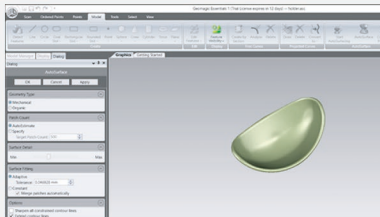


Design

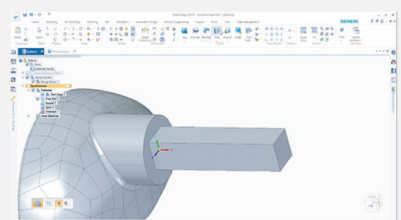
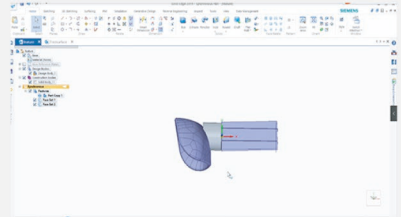
Solid Edge SHINING 3D Edition



Scan an object firstly. Export your scanned data to Geomagic Essentials.



Complete mesh, align data, extract features and NURBS in Geomagic Essentials.



Do reverse engineering in Solid Edge SHINING 3D Edition.

Applications

Reverse CAD

Modeling

3D Designing

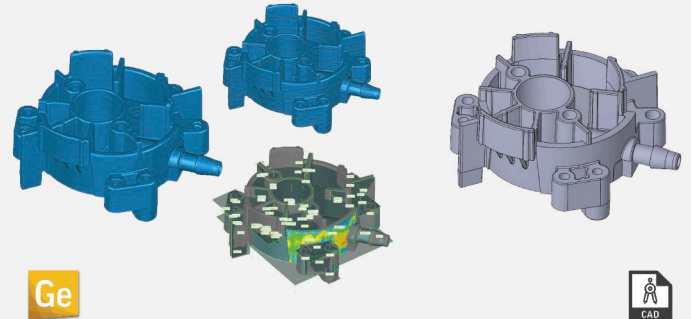
Scan to Print

Reverse Engineering

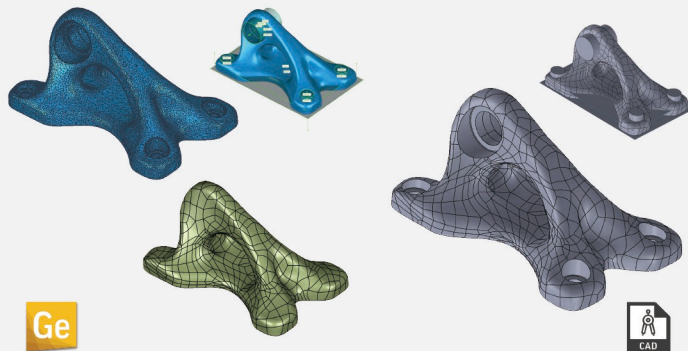
3D Analysis and Archiving

Rapid Prototyping

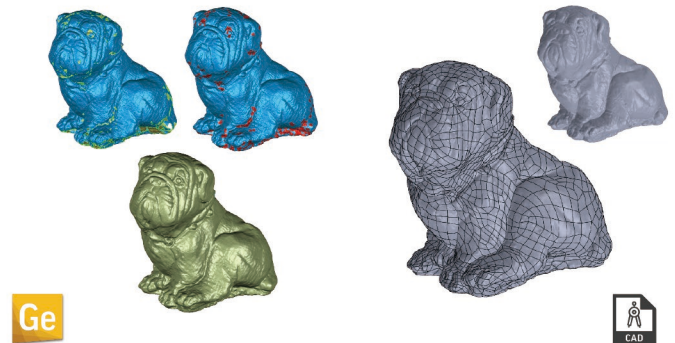
Mechanical Example



Hybrid Example



Organic Example



SHINING 3D[®]

APAC Headquarters

SHINING 3D Tech. Co., Ltd.
Hangzhou, China
P: +86-571-82999050
Email: sales@shining3d.com
No. 1398, Xiangbin Road, Wenyan, Xiaoshan,
Hangzhou, Zhejiang, China,
311258

EMEA Region

SHINING 3D Technology GmbH
Stuttgart, Germany
P: +49-711-28444089
Email: sales@shining3d.com
Panorama, Heilbronner straÙe 86, 70191,
Stuttgart, Germany

Americas Region

SHINING 3D Technology Inc.
San Francisco, United States
P: +1415-259-4787
Email: sales@shining3d.com
1740 César Chávez St. Unit D. San Francisco,
CA 94124



www.shining3d.com